

Externally operated valves, type AV210

Features



- For robust industrial applications
- Bi-directional NC version - two flow directions
- Bronze version for water, oil and compressed air
- stainless steel version for neutral and aggressive liquid and gaseous media
- Unpressurized closed (NC) bidirectional versions and unpressurized opened (NO) version closing against the flow direction
- Control connection G 1/8 and NAMUR
- Operating pressure up to 16 bar, depending on valve type
- The valves can be used for rough vacuum
- Valves comply with P.E.D. 97/23/ EC group 1 & 2
- Options: See page 11

Contents

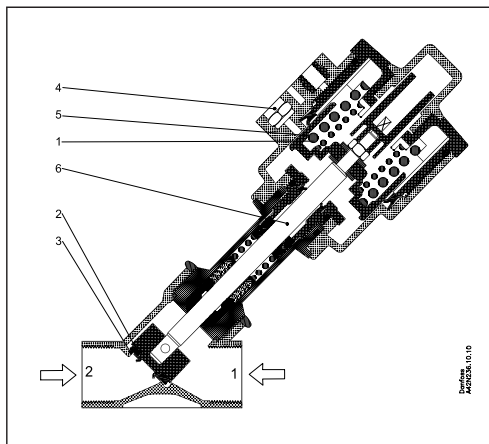
Information type	Page
Technical data and function.....	2
Ordering NC versions.....	3
Diagrams NC versions.....	4
Ordering NO versions.....	5
Diagrams NO versions.....	6
Dimensions and weight.....	7
Capacity diagram for water, control valves.....	8
Accessories.....	9-10
Repair sets, options.....	11

Technical data

Design	Piston-operated; angle-seated;
Installation	Optional
Pressure range	See ordering
Tightness	Internally/ Externally: Better than 0.4 mbar l/sec (25 ccm air per min.)
Ambient temperature	-30 to +60°C
Medium temperature	-30 to +180°C
Viscosity	Max. 600 cSt
Control medium	Air
Materials	Valve body: Bronze RG 5 Stainless steel AISI 316 Intermediate piece: Bronze body: Brass W.no.2.0402 Stainless steel body: Stainless steel AISI 316 Seat control and nut: Stainless steel AISI 316 Spindle: Stainless steel AISI 316 Spindle gasket: PTFE Gasket: Graphite Valve plate unit: PTFE Control head: PA66

Function

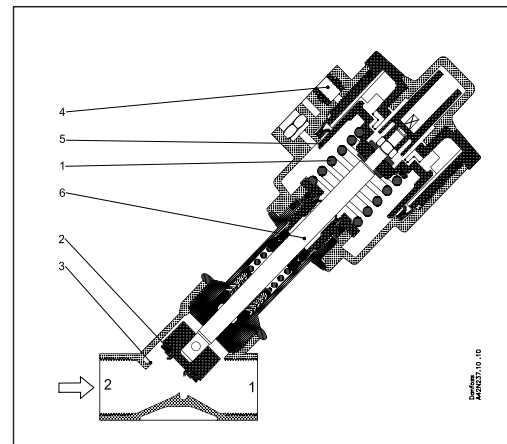
- 1. Spring
- 2. Seat gasket
- 3. Valve seat
- 4. Control connection
- 5. Control piston
- 6. Spindle



AV210 unpressurized closed version (NC) bidirectional.

The valve is kept closed by the spring (1), which presses the seat gasket (2) against the valve seat (3).

When the pressure is applied to the control connection (4), the control piston (5), the spindle (6) and thus the seat gasket (2) are raised, and the valve opens with or against the pressure of the medium.

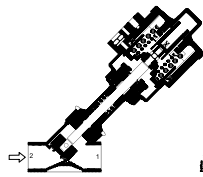


AV210 unpressurized open version (NO)

The valve is kept open by the spring (1), which keeps the seat gasket (2) away from the valve seat (3).

When pressure is applied to the control connection (4), the control piston (5), the spindle (6) and thus the seat gasket (2) are lowered, and the valve closes against the pressure of the medium.

Ordering



NC version

Mounting: closing *against* or closing *with* the flow direction

Closing *against* recommended to avoid water hammer

Conne- tion ISO 228/1	DN [mm]	K _V - value [m ³ /h]	Dia- meter control- head [mm]	Pressure range ¹⁾ [bar]	Control pressure [bar]		Bronze		Code no.
							Type designation		
					min.	max.	Main type	Specification	
G 3/8	15	4.5	40 ²⁾	0 to 16	4.2	10	AV210A15G	G38T NC000	042N4400
G 3/8	15	4.9	50	0 to 16	4	10	AV210B15G	G38T NC000	042N4401
G 1/2	15	5.3	40 ²⁾	0 to 16	4.2	10	AV210A15G	G12T NC000	042N4402
G 1/2	15	5.7	50	0 to 16	4	10	AV210B15G	G12T NC000	042N4403
G 3/4	20	10	50	0 to 10	4	10	AV210B20G	G34T NC000	042N4404
G 3/4	20	10	63	0 to 16	4	10	AV210C20G	G34T NC000	042N4405
G 1	25	20	63	0 to 11	4	10	AV210C25G	G1T NC000	042N4406
G 1	25	20	90	0 to 16	4	8	AV210D25G	G1T NC000	042N4407
G 1 1/4	32	29	90	0 to 14	4	8	AV210D32G	G114T NC000	042N4408
G 1 1/2	40	46	90	0 to 11	4	8	AV210D40G	G112T NC000	042N4409
G 1 1/2	40	47	110	0 to 16	4	8	AV210E40G	G112T NC000	042N4410
G 2	50	74	110	0 to 10	4	8	AV210E50G	G2T NC000	042N4411

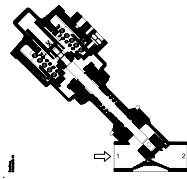
¹⁾ Pressure range can be extended for use in rough vacuum, typically up to 99% vacuum (10mbar), depending on the application

²⁾ Without NAMUR interface

Conne- tion ISO 228/1	DN [mm]	K _V - value [m ³ /h]	Dia- meter control- head [mm]	Pressure range ¹⁾ [bar]	Control pressure [bar]		Stainless Steel		Code no.
							Type designation		
					min.	max.	Main type	Specification	
G 3/8	15	4.9	50	0 to 16	4	10	AV210B15SS	G38T NC000	042N4450
G 1/2	15	5.7	50	0 to 16	4	10	AV210B15SS	G12T NC000	042N4451
G 3/4	20	10	50	0 to 10	4	10	AV210B20SS	G34T NC000	042N4452
G 3/4	20	10	63	0 to 16	4	10	AV210C20SS	G34T NC000	042N4453
G 1	25	20	63	0 to 11	4	10	AV210C25SS	G1T NC000	042N4454
G 1	25	20	90	0 to 16	4	8	AV210D25SS	G1T NC000	042N4455
G 1 1/4	32	29	90	0 to 14	4	8	AV210D32SS	G114T NC000	042N4456
G 1 1/2	40	46	90	0 to 11	4	8	AV210D40SS	G112T NC000	042N4457
G 1 1/2	40	47	110	0 to 16	4	8	AV210E40SS	G112T NC000	042N4458
G 2	50	74	110	0 to 10	4	8	AV210E50SS	G2T NC000	042N4459

¹⁾ Pressure range can be extended for use in rough vacuum, typically up to 99% vacuum (10mbar), depending on the application

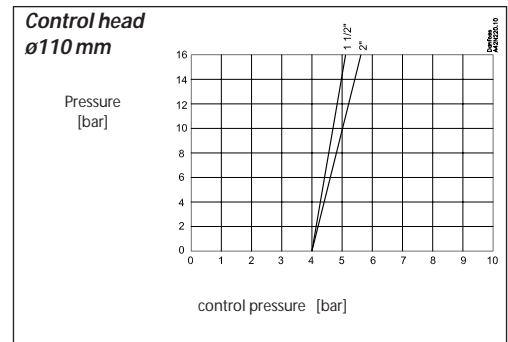
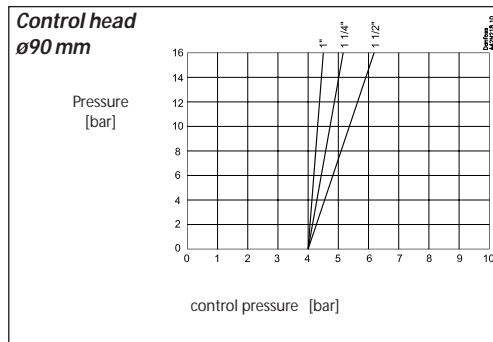
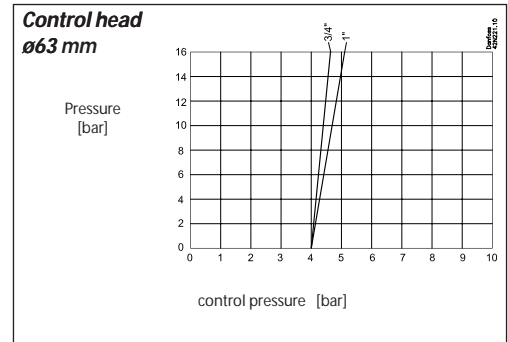
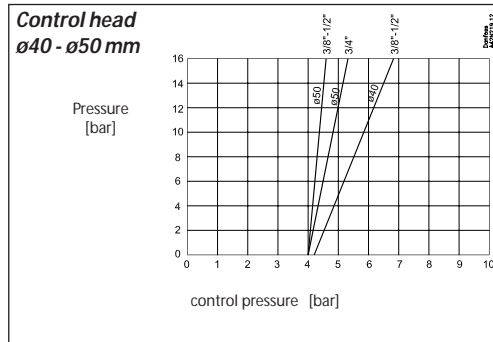
Diagrams NC



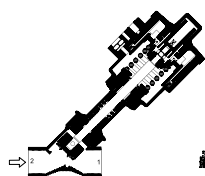
NC version

Mounting: closing *with* the flow direction

Recommended only for compressible media for extended pressure range



Ordering



NO version

Mounting: Always closing *against* the flow direction

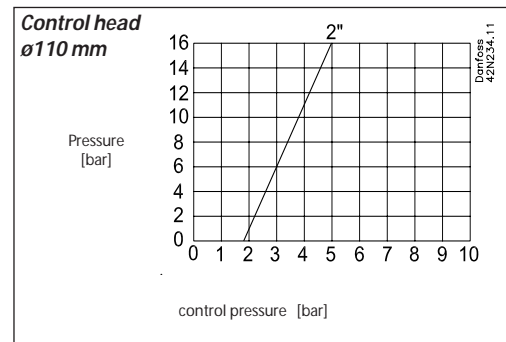
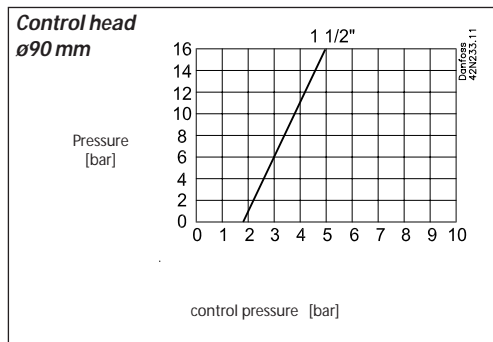
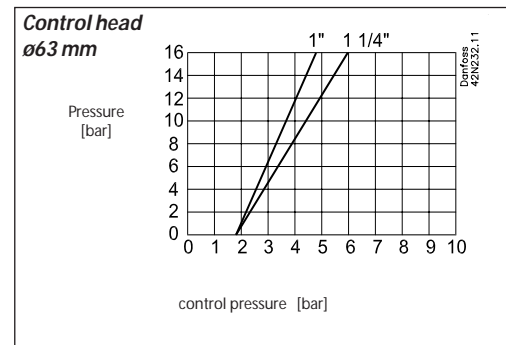
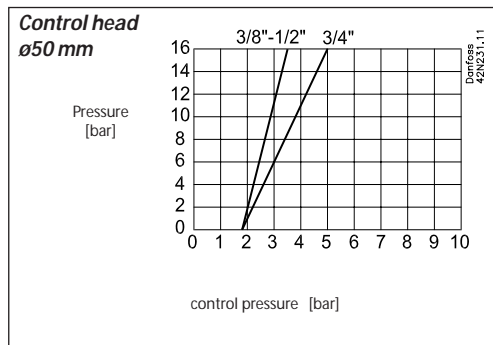
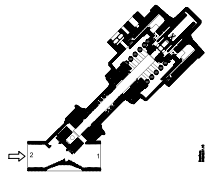
Connection ISO 228/1	DN [mm]	K _v - value [m ³ /h]	Dia- meter control- head [mm]	Pressure range ¹⁾ [bar]	Control pressure [bar]		Bronze		
							Type designation		Code no
					min.	max.	Main type	Specification	
G 3/8	15	4.9	50	See diagram, page 6	10	AV210B15G	G38T NO000	042N4430	
G 1/2	15	5.7	50	See diagram, page 6	10	AV210B15G	G12T NO000	042N4431	
G 3/4	20	10	50	See diagram, page 6	10	AV210B20G	G34T NO000	042N4432	
G 1	25	20	63	See diagram, page 6	10	AV210C25G	G1T NO000	042N4433	
G 1 1/4	32	29	63	See diagram, page 6	10	AV210D32G	G114T NO000	042N4434	
G 1 1/2	40	46	90	See diagram, page 6	8	AV210D40G	G112T NO000	042N4435	
G 2	50	74	110	See diagram, page 6	8	AV210E50G	G2T NO000	042N4436	

¹⁾ Pressure range can be extended for use in rough vacuum, typically up to 99% vacuum (10mbar), depending on the application

Connection ISO 228/1	DN [mm]	K _v - value [m ³ /h]	Dia- meter control- head [mm]	Pressure range ¹⁾ [bar]	Control pressure [bar]		Stainless Steel		
							Type designation		Code no.
					min.	max.	Main type	Specification	
G 3/8	15	4.9	50	See diagram, page 6	10	AV210B15SS	G38T NO000	042N4480	
G 1/2	15	5.7	50	See diagram, page 6	10	AV210B15SS	G12T NO000	042N4481	
G 3/4	20	10	50	See diagram, page 6	10	AV210B20SS	G34T NO000	042N4482	
G 1	25	20	63	See diagram, page 6	10	AV210C25SS	G1T NO000	042N4483	
G 1 1/4	32	29	63	See diagram, page 6	10	AV210D32SS	G114T NO000	042N4484	
G 1 1/2	40	46	90	See diagram, page 6	8	AV210D40SS	G112T NO000	042N4485	
G 2	50	74	110	See diagram, page 6	8	AV210E50SS	G2T NO000	042N4486	

¹⁾ Pressure range can be extended for use in rough vacuum, typically up to 99% vacuum (10mbar), depending on the application

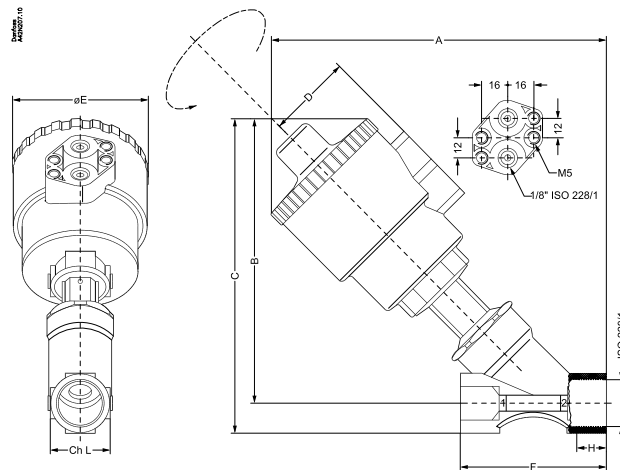
Diagrams NO



Dimensions and weight

Bronze valve body

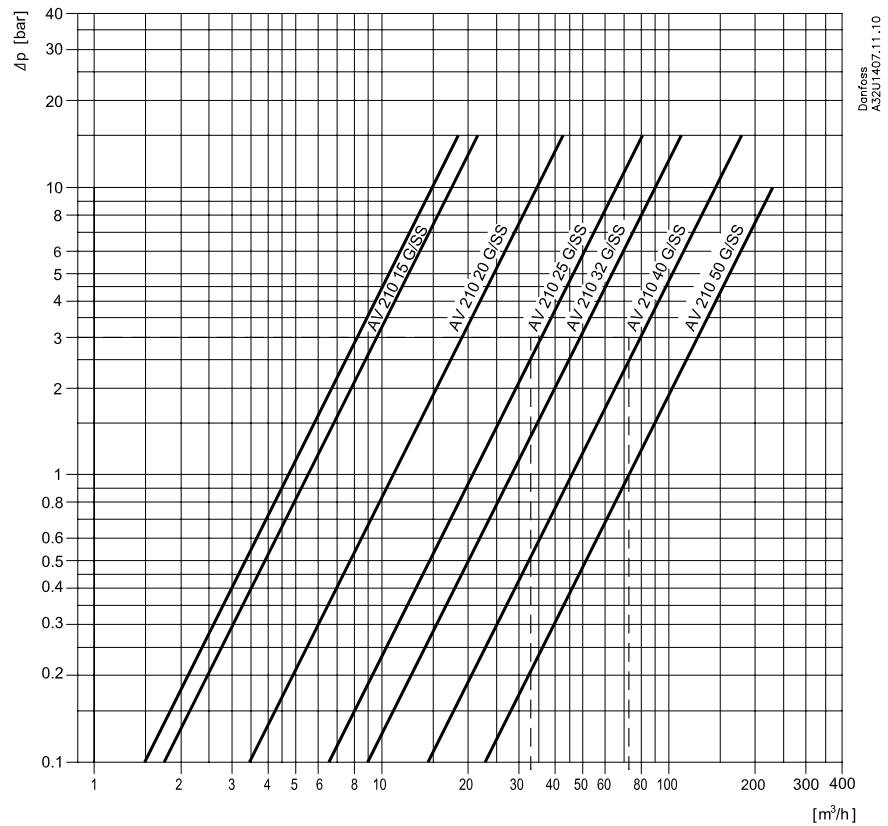
DN [mm]	Connection ISO 228/1	Diameter control-head [mm]	A [mm]	B [mm]	C [mm]	D [mm]	øE [mm]	F [mm]	H [mm]	ch.L [mm]	weight [Kg]
15	G 3/8	40	144	121	134	35	61	65	12	27	1.1
15	G 3/8	50	163	140	153	44	70	65	12	27	1.1
15	G 1/2	40	144	121	134	35	61	65	13	27	1
15	G 1/2	50	163	140	153	44	70	65	13	27	1
20	G 3/4	50	173	147	163	44	70	75	14.3	27.5	1.2
20	G 3/4	63	191	165	181	50.5	84.4	75	14.3	27.5	1.2
25	G 1	63	206	176	196	50.5	84.4	90	17.5	41	1.6
25	G 1	90	246	216	236	66.2	116.4	90	17.5	41	1.7
32	G 1 1/4	90	255	220	245	66.2	116.4	110	19	50	3
40	G 1 1/2	90	270	235	264	66.2	116.4	120	18	58	3.4
40	G 1 1/2	110	306	271	300	77.4	140.6	120	18	58	4
50	G 2	110	316	276	311	77.4	140.6	150	20	70	5.3



Stainless steel valve body

DN [mm]	Connection ISO 228/1	Diameter control-head [mm]	A [mm]	B [mm]	C [mm]	D [mm]	øE [mm]	F [mm]	H [mm]	ch.L [mm]	weight [Kg]
15	G 3/8	40	190	156	169	44	70	85	12	25	1.1
15	G 1/2	50	190	156	169	44	70	85	15	25	1
20	G 3/4	50	195	160	176	44	70	95	16.3	31	1.2
20	G 3/4	63	213	178	194.4	50.5	84.4	95	16.3	31	1.2
25	G 1	63	219	182	202	50.5	84.4	105	19.5	38	1.6
25	G 1	90	259	222	242	66.2	116.4	105	19.5	38	1.7
32	G 1 1/4	90	266	226	249	66.2	116.4	120	19	47	3
40	G 1 1/2	90	271	230	258	66.2	116.4	130	18	54	3.4
40	G 1 1/2	110	307	266	294	77.4	140.6	130	18	54	4
50	G 2	110	321	276	310	77.4	140.6	150	20	66	5.3

Capacity diagram, Water

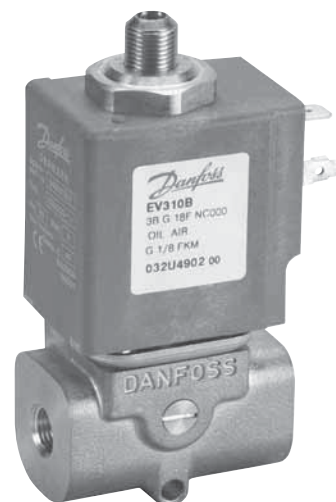


Control valves, types EV310A and EV310B

Control valves, type EV310A

Control valves, type EV310B

See separate data sheets DKACV.PD.100.E and DKACV.PD.200.J regarding code numbers, technical data and coil options for Danfoss EV310A and EV310B valves.



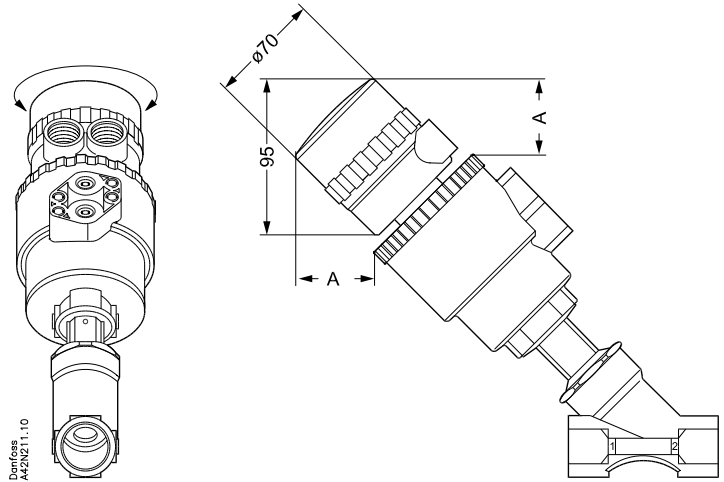
- Valves for industrial applications.
- Available in de-energized closed and de-energized open versions
- Available with or without manual operation

- Valves for industrial application.
- Available in de-energized closed and de-energized open versions
- Available with or without manual operation

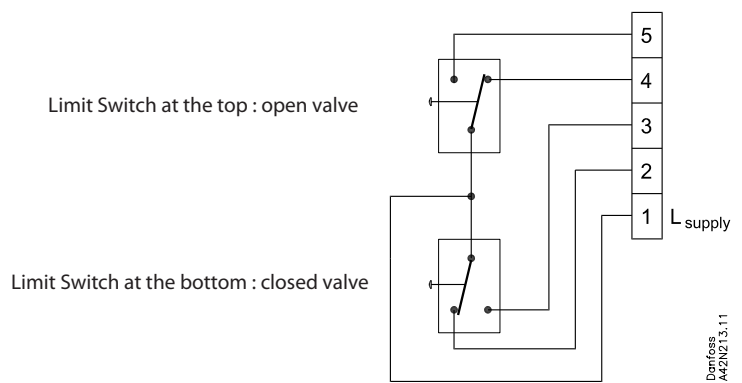
Position indicator

FEATURES

The control box to check the open/closed positions with two mechanical limit switches is suitable for assembling on the whole range of valves.
 Level of protection : IP 65.
 Ambient temperature: from -20°C to +70°C.
 Access lead nr.2 PG11.
 Body material: polyamide
 (cap in Lexan/polycarbonate)



Wiring diagram



Max. capacity 5A 250Vac
 1A 250Vdc

Ordering

Actuator size [mm]	A [mm]	code no.*
Ø 50	52.1	042N4820
Ø 63	47.5	042N4821
Ø 90	37.7	042N4822
Ø 110	29.5	042N4823

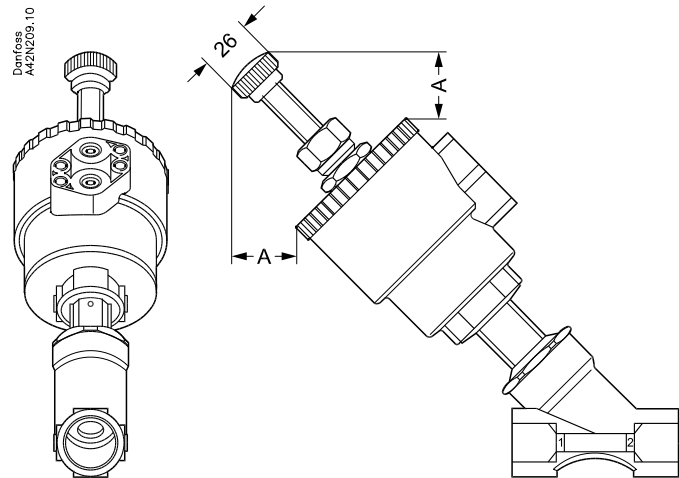
* Limit Switch Box incl. 2 switches

Accessories

Manual override

FEATURES

It permits opening the valve in emergency cases (lack of pilot fluid, machinery damaged, lack of piloting signal). It is available on all NC versions.



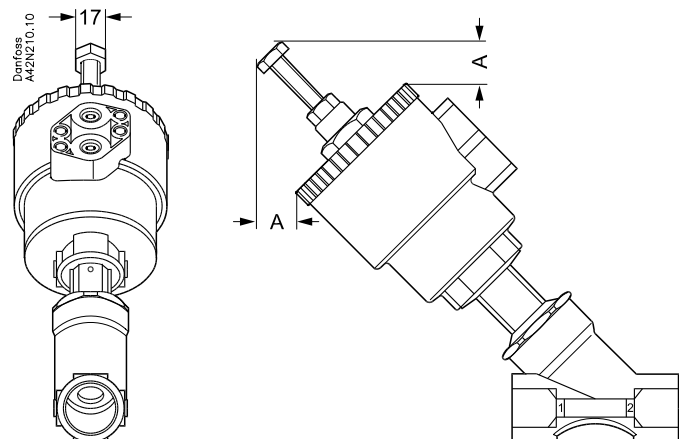
Ordering

Actuator size [mm]	A [mm]	code no.
Ø 50	35.8	042N4840
Ø 63	35.8	042N4841
Ø 90	29.5	042N4842
Ø 110	29.5	042N4843

Manual capacity control

FEATURES

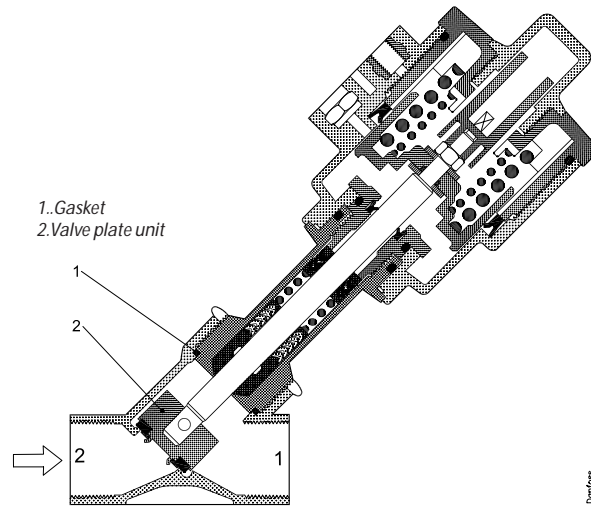
It limits steplessly the movement of the spindle, thereby controlling the capacity of the valve. Available on all the versions. In NO versions it can be used as manual override.



Ordering

Actuator size [mm]	A [mm]	code no.
Ø 50	25.5	042N4860
Ø 63	21.5	042N4861
Ø 90	5.2	042N4862
Ø 110	5.9	042N4863

Repair sets



Danfoss
AV210/215, IC/20

Ordering both Bronze and Stainless steel

Con- nection	Dia- meter Control head [mm]	Material		Code no.
		Valve plate unit	Gasket	
G 3/8	40	PTFE	Graphite	042N4800
G 3/8	50	PTFE	Graphite	042N4801
G 1/2	40	PTFE	Graphite	042N4802
G 1/2	50	PTFE	Graphite	042N4803
G 3/4	50 - 63	PTFE	Graphite	042N4804
G 1	63	PTFE	Graphite	042N4805
G 1	90	PTFE	Graphite	042N4806
G1 1/4	90	PTFE	Graphite	042N4807
G1 1/2	90 - 110	PTFE	Graphite	042N4808
G 2	110	PTFE	Graphite	042N4809

The repair set includes 1 valve plate unit including mounting pin and 2 gaskets.

Please note only one gasket shall be used one is for Bronze another is for Stainless Steel

Options

- NPT, Tri-clamp, welding or flange connection
- Double-acting and "closing with" version
- Stainless steel, compact OEM version
- High ambient temperature version (up to 130°C)
- EEx approved position indicator
- Other combinations of control head and valve

Danfoss can accept no responsibility for possible errors in catalogues, brochures and other printed material. Danfoss reserves the right to alter its products without notice. This also applies to products already on order provided that such alterations can be made without subsequential changes being necessary in specifications already agreed. All trademarks in this material are property of the respective companies. Danfoss and the Danfoss logotype are trademarks of Danfoss A/S. All rights reserved.